



**CCTV
 MOUNTING**

BT6010

SECURITY DOME CAMERA MOUNT FOR Ø50MM POLES



The BT6010 is a CCTV mount that can be used to mount cameras up to 25kg. Compatible with B-Tech's System 2 professional range, this mount is designed to attach onto B-Tech's range of BT7850 Ø50mm poles. A unique carousel design makes for simple installation with all the required hardware being included.

SPECIFICATION

Max load	25kg
Distance between fixing points	Min: 63.5mm Max: 103.5mm
Colour	Zinc plated

FEATURES

- Designed for use with CCTV cameras
- Fits all B-Tech Ø50mm poles
- Unique carousel mount for simple installation
- with all mounting hardware included
- Distance between any 2 fixing points on CCTV camera:
 min: 63.5mm (2.5") max: 103.5mm (4.1")
- Maximum weight 25kg
- Zinc Plated finish



Ideal for use with CCTV dome cameras'



Fits all B-Tech Ø50mm poles

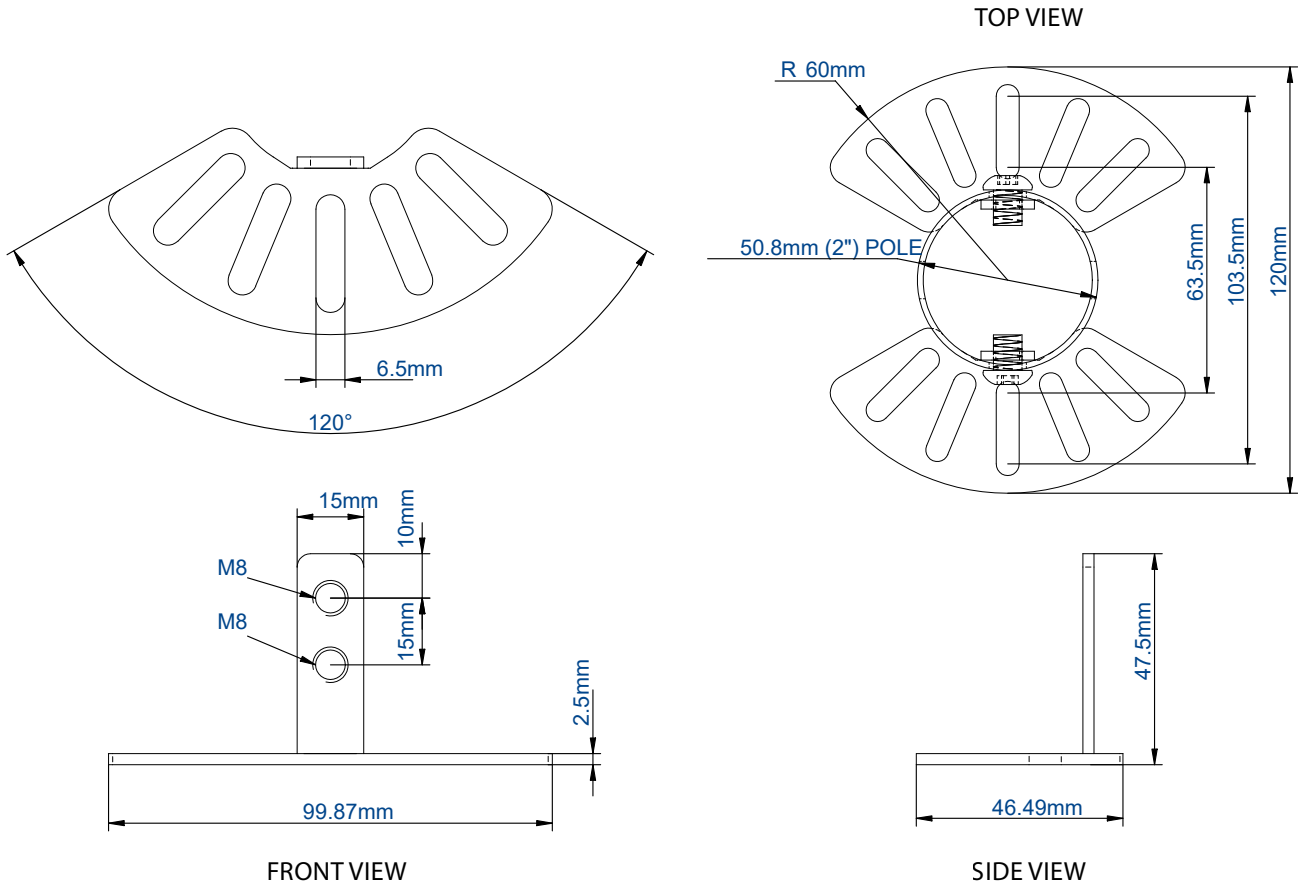


Unique carousel mount for simple installation



Zinc plated finish





PACKING INFORMATION

COLOUR:	ORDER REF:	EAN CODE:	MASTER CARTON QTY:	INNER CARTON QTY:	MASTER CARTON WEIGHT:	MASTER CARTON CUBE:
Zinc	BT6010/Z	5019318110016	1	0	0.19KG	0.001CBM

RELATED PRODUCTS TO THE BT6010

<p>BT7825</p>	<p>BT7850</p>	<p>BT7851</p>	<p>BT7822</p>
<p>Truss Mount adaptor for attaching Ø50mm poles onto truss system's</p>	<p>Ø50mm Pole to support large loads is available in various lengths</p>	<p>Adjustable Drop Ceiling Mount for easy positioning of mounted screens</p>	<p>Heavy Duty Ceiling / Floor Mount to mount a Ø50mm pole to the ceiling or to the floor</p>

© 2019 B-Tech Professional Design & Manufacturing Ltd. All rights reserved. The information in this specification sheet reflects our current technical specifications at the time of print. We reserve the right to change the technical or physical specifications without prior notice. This B-Tech Professional Design & Manufacturing Ltd. logo and B-Tech Professional Design & Manufacturing Ltd. name are registered trademarks of B-Tech Professional Design & Manufacturing Ltd. B-Tech Professional Design & Manufacturing Ltd. is not responsible for any damage caused by improper or unauthorized use, installation, modification, repair, or replacement of any part of this specification sheet or its products, unless prior written permission has been granted by B-Tech Professional Design & Manufacturing Ltd. (BTD).

SS-V1.1-BT6010-ZP0819